



## Plastic SMD Crystals 8038PX Series



Model M3      8.0 x 3.8 Plastic SMD

**Frequency Range :** 32.768KHz ; 28.00KHz to 100.00KHz

### Features :

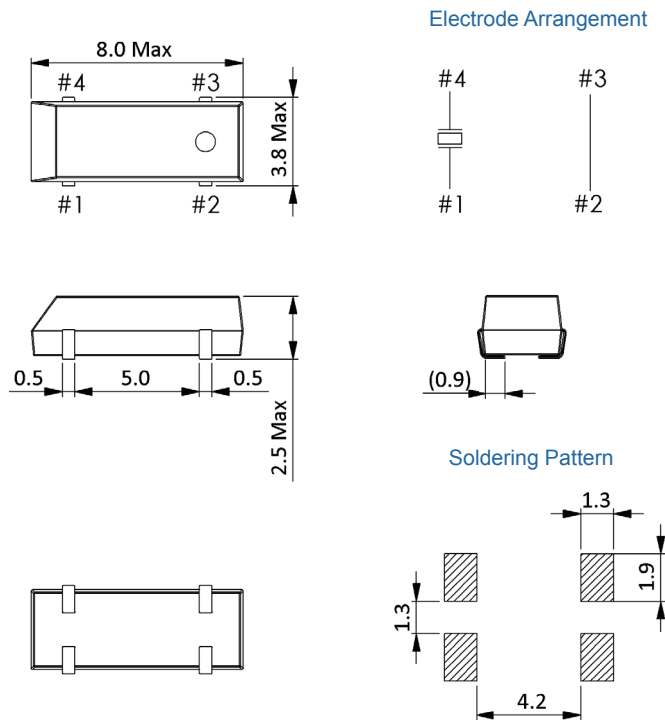
- High reliability & low cost unit
- Tight stability & extended temperature available
- RoHS compliant
- 260°C reflow compatible
- AEC-Q200 Stress Qualified Component

QUARTZ  
CRYSTALS

### Standard Specifications

Item	Value	
Frequency Range	32.768KHz	28.00KHz to 100.00KHz
ESR	50kOhm Max.	50kOhm Max.
Frequency Tolerance	±20ppm (or specify)	
Temperature Coefficient	-0.034±0.006ppm/°C <sup>2</sup>	
Operating Temperature Range	-40°C to +85°C (or specify)	
Operable Temperature Range	-40°C to +125°C	
Turnover Temperature	25°C±5°C	
Drive Level	0.1uW Typ. (1.0uW Max.)	
Load Capacitance	12.5pF (or specify)	
Shunt Capacitance	2.0pF Max.	

### Dimension



Remark: Do not connect #2 and #3 to external circuit or GND (floating)

Note:

1. Manufacturer reserves the right to change the specification and content of this product for improvement without notification.
2. Custom specification is welcome. Please contact our sales representative for further details.
3. If the crystal is intended for applications which have direct impact on human life and properties, and require a high degree of reliability and safety concerns, customers must provide full information such as but not limit to the application, electrical and reliability specification at the inquiry beginning stage.
4. Customers have to agree to the "Guideline for handling crystal units" and "Standard Terms and Condition of Sales" which is printed this catalog before placing orders to our company or our distributors. There are also unpredictable factors such as applied condition, oscillation margin and etc and customers must check them beforehand. In case of queries, please do not fail to send inquiry to our company before ordering.

Ver 1.1

