



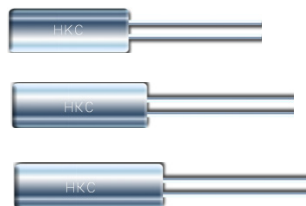
Cylinder Type Crystals

■ Holder Type: 2T / 3T / 4T

Frequency Range:
4.00MHz to 100.00MHz

Features:

- High Reliability & Low Cost Unit
- RoHS Compliant



Actual Size



■ Standard Specifications

Item	2T (2×6)		3T(3×8)		4T (3×9)	
	4~32MHz	30~100MHz	4~32MHz	30~100MHz	4~32MHz	30~100MHz
Frequency Range	4~32MHz	30~100MHz	4~32MHz	30~100MHz	4~32MHz	30~100MHz
Mode	FUND.	3OT	FUND.	3OT	FUND.	3OT
Equivalent Series Resistance (ESR)	70~250Ω	150~200Ω	50~200Ω	100~150Ω	30~150Ω	80~100Ω
Frequency Tolerance	±30ppm (tighter tolerance also available)					
Frequency Tolerance over Temperature Range	±50ppm (tighter tolerance also available)					
Operating Temperature Range	-10 oC to +60 oC (other operating range also available)					
Operable Temperature Range	-40 oC to +85 oC					
Drive Level	50μW Typ. (300μW Max.)					
Load Capacitance	12pF (3pF, 4.5pF, 6pF and series also available)					
Shunt Capacitance	7.0pF Max					
Ageing	±5ppm/year					

QUARTZ
CRYSTALS

Note:

1. Manufacturer reserves the right to change the specification and content of this product for improvement without notification.
2. Custom specification is welcome. Please contact our sales representative for further details.
3. If the crystal is intended for applications which have direct impact on human life and properties, and require a high degree of reliability and safety concerns, customers must provide full information such as but not limit to the application, electrical and reliability specification at the inquiry beginning stage.
4. Customers have to agree to the "Guideline for handling crystal units" and "Standard Terms and Condition of Sales" which is printed this catalog before placing orders to our company or our distributors. There are also unpredictable factors such as applied condition, oscillation margin and etc and customers must check them beforehand. In case of queries, please do not fail to send inquiry to our company before ordering.

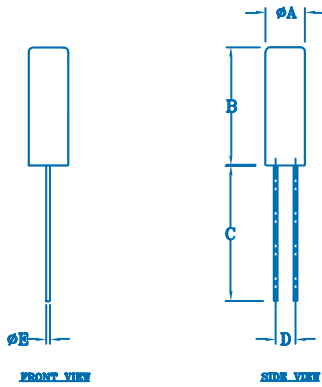
Ver. 1.0

<https://www.hongkongcrystal.com>

Email: automotive@hongkongcrystal.com

Tel: +852 35112388 Fax: +852-35112420

■ Dimensions (mm)



MARKING INFORMATION



DIMENSION

ITEMS	2T	3T	4T
A	2.0±0.1	3.0±0.1	3.0±0.1
B	6.2 Max	8.2 Max	9.2 Max
C	5.0 Min	9.0 Min	9.0 Min
D	0.7±0.1	0.8±0.1	0.8±0.1
E	0.25±0.05	0.33±0.05	0.33±0.05

